

SF₆ service instrument

For filling, cleaning and recovery of SF₆ gas

Model GPU-S-2000

Applications

Filling, cleaning, recovery, evacuation and venting of filled switchgear, linear accelerators and other SF₆ gas-filled equipment

Special features

- Oil-less compressor
- Oil-less vacuum compressor
- Dual cleaning of particles, humidity and decomposition products
- Low maintenance effort
- Operation via 10" touchscreen

Description

The right instrument for each application - The GPU platform

The gas-handling instruments of the GPU platform enable the complete process from initial filling to processing to be carried out safely and intuitively.

The platform is available in 4 versions.

- Model GPU-B-2000
SF₆ service instrument in fully automated basic version
- Model GPU-S-2000
SF₆ service instrument with additional SIL2 safety control
- Model GPU-B-3000
SF₆ service instrument at the highest performance level
- Model GPU-S-3000
SF₆ service instrument with additional SIL2 safety control and the highest performance level



SF₆ service instrument with 300-litre tank

Extra high safety - model series S

The models GPU-S-2000 and GPU-S-3000 are equipped with an additional SIL2 safety control that is unique on the market. As a result, operating errors and the emission of SF₆ gas are technically impossible.

All models of the GPU platform are optionally available with a filter process that allows the SF₆ gas to be brought to the desired humidity directly on site.

The SF₆ service equipment is an efficient and reliable solution that exceeds the current IEC standards for handling SF₆ gas. Low downtimes through long service intervals of more than 2,500 hours make them an extremely durable product that is always ready for use.

Specifications

Voltage supply

Voltage supply	
Option 1	AC 360 ... 440 V, 3-phase, 50 Hz
Option 2	AC 220 ... 265 V, 3-phase, 60 Hz
Option 3	AC 360 ... 440 V, 3-phase, 60 Hz
Option 4	AC 190 ... 230 V, 3-phase, 60 Hz

Oil-less compressor (SF₆ gas)

Oil-less compressor (SF ₆ gas)	
Gas flow rate	9.8 m ³ /h (with medium suction pressure, 50 Hz) 8 m ³ /h (with medium suction pressure, 60 Hz)
Output pressure	50 bar abs.

Oil-less vacuum compressor (SF₆ gas)

Oil-less vacuum compressor (SF ₆ gas)		
	Gas flow rate	Final vacuum
Option 1	6 m ³ /h	< 1 mbar abs.
Option 2	10 m ³ /h	< 1 mbar abs.
Option 3	15 m ³ /h	< 1 mbar abs.

Vacuum pump (air)

Vacuum pump (air)		
	Gas flow rate	Final vacuum
Option 1	25 m ³ /h	< 1 mbar abs.
Option 2	40 m ³ /h	< 1 mbar abs.
Option 3	63 m ³ /h	< 1 mbar abs.
Option 4	100 m ³ /h	< 1 mbar abs.

Integrated tank, storage capacity

Integrated tank, storage capacity	
Option 1	without tank
Option 2	300 litres
Option 3	600 litres
Option 4	Stowage for 6 gas cylinders

Integrated gas cylinder scales

Integrated gas cylinder scales	
Option 1	without scales
Option 2	Measuring range 0 ... 136 kg Tare function Accuracy ±30 g

Connections

Connections	
GIS	1 valve DN 20, pressure range 0 ... 10 bar abs.
Gas cylinder	2 valves DN 20, pressure range 0 ... 50 bar abs.

Safety systems

Safety control: Based on SIL2 components, SF₆ gas warning equipment: 0 ... 2,000 ppm_v, based on infrared technology

Filter element

Molecular sieve, aluminium oxide, particle filter 1 µm
Max. water absorption: 75 g

Control element

10" touchscreen

Permissible ambient temperature

Operation: 5 ... 40 °C
Storage: -20 ... +60 °C

Permissible air humidity

< 80 % r. h.

Ingress protection

IP42

Weight

approx. 665 kg without tank
approx. 1,000 kg with empty 300-litre tank
approx. 1,300 kg with empty 600-litre tank
approx. 1,050 kg with empty gas cylinder stowage

Tyres

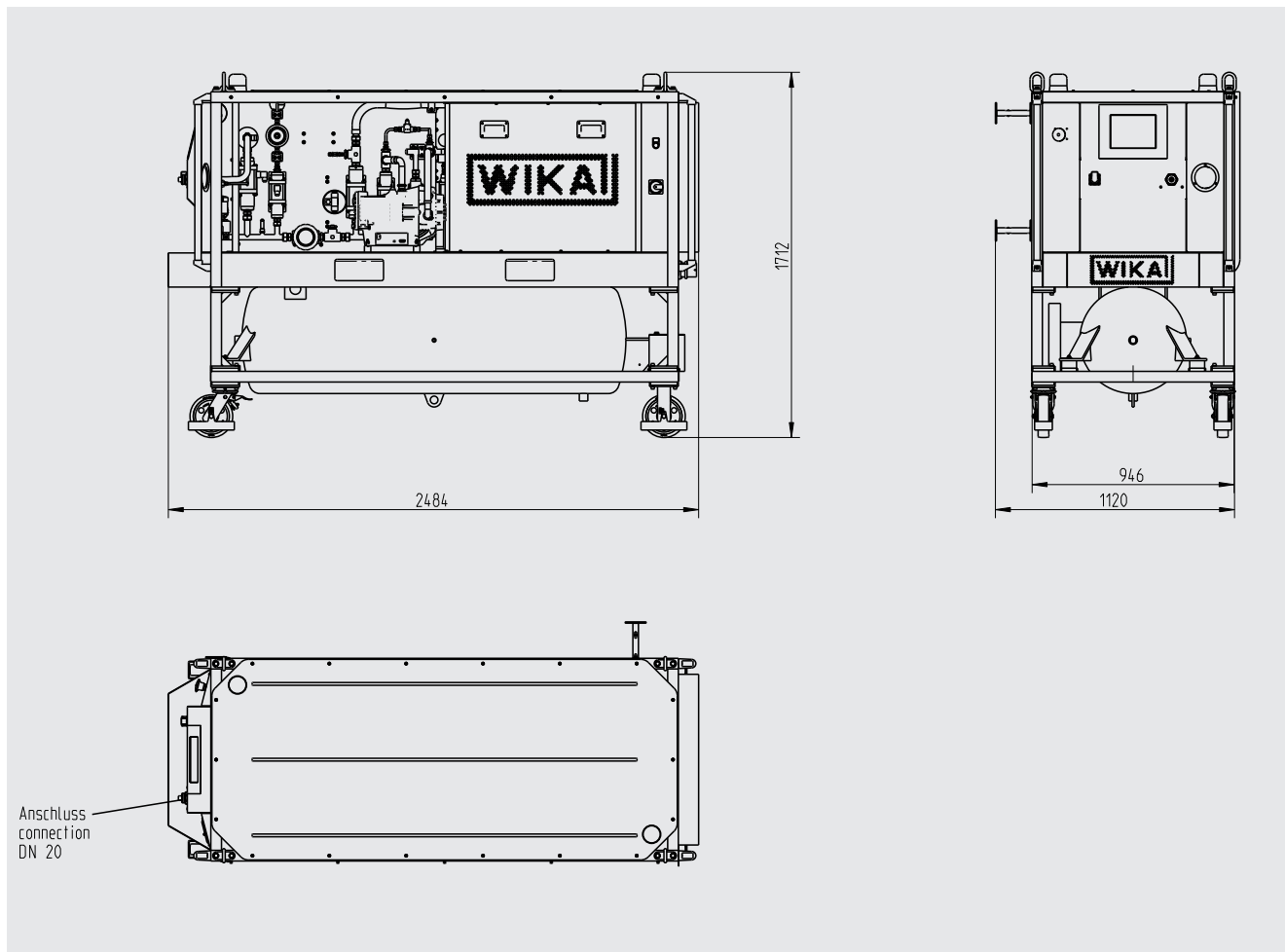
Solid rubber, Ø 200 mm, with rollover protection

Approvals

Logo	Description	Country
CE	EU declaration of conformity <ul style="list-style-type: none"> ■ EMC directive, EN 61326 emission (group 1, class B) and immunity (industrial application) ■ RoHS directive ■ Machinery directive 	European Union

Approvals and certificates, see website

Dimensions in mm



Accessories

Hoses		Order number	
Nominal width	Length	Stainless steel	Rubber
DN 8	3 m	14225424	14064928
	6 m	14225507	14064929
	12 m	14225513	14064931
	15 m	14225522	14064933
DN 20	3 m	14225543	on request
	6 m	14225579	on request
	12 m	14225594	on request
	15 m	14225602	on request

Adapter	Order number
DN 8 (male) to DN 20 (female), stainless steel	14096583
DN 8 (female) to DN 20 (male), stainless steel	14148698

Spare parts and service kits	Order number
Oil for vacuum pump, 1 litre	14199926
Filter cartridge for GPF-10	14118800
Filter cartridge for particle filter	14140385
Service kit for compressor (SF ₆ gas)	on request (serial number of the system is required)
Service kit for vacuum compressor (SF ₆ gas)	on request (serial number of the system is required)
Service kit for vacuum pump (air)	on request (serial number of the system is required)

Ordering information

Model / Oil-less vacuum compressor (SF₆ gas) / Vacuum pump (air) / Integrated tank, storage capacity / Accessories

© 05/2018 WIKA Alexander Wiegand SE & Co. KG, all rights reserved.
The specifications given in this document represent the state of engineering at the time of publishing.
We reserve the right to make modifications to the specifications and materials.

