

# Junction box for load cells

## 4-channel

### Model B6578



WIKA data sheet FO 58.02

#### Applications

- Weighing, testing, inspection and safety equipment

#### Special features

- 4-channel
- Rugged stainless steel case
- Cable connection via clamps
- IP67



Junction box, model B6578

#### Description

The junction box B6578 is intended for the parallel connection of up to 4 force transducers or load cells in industrial weighing technology.

It processes up to 4 passive input signals (mV/V) and serves as a summing unit for load cells or high-quality special force transducers.

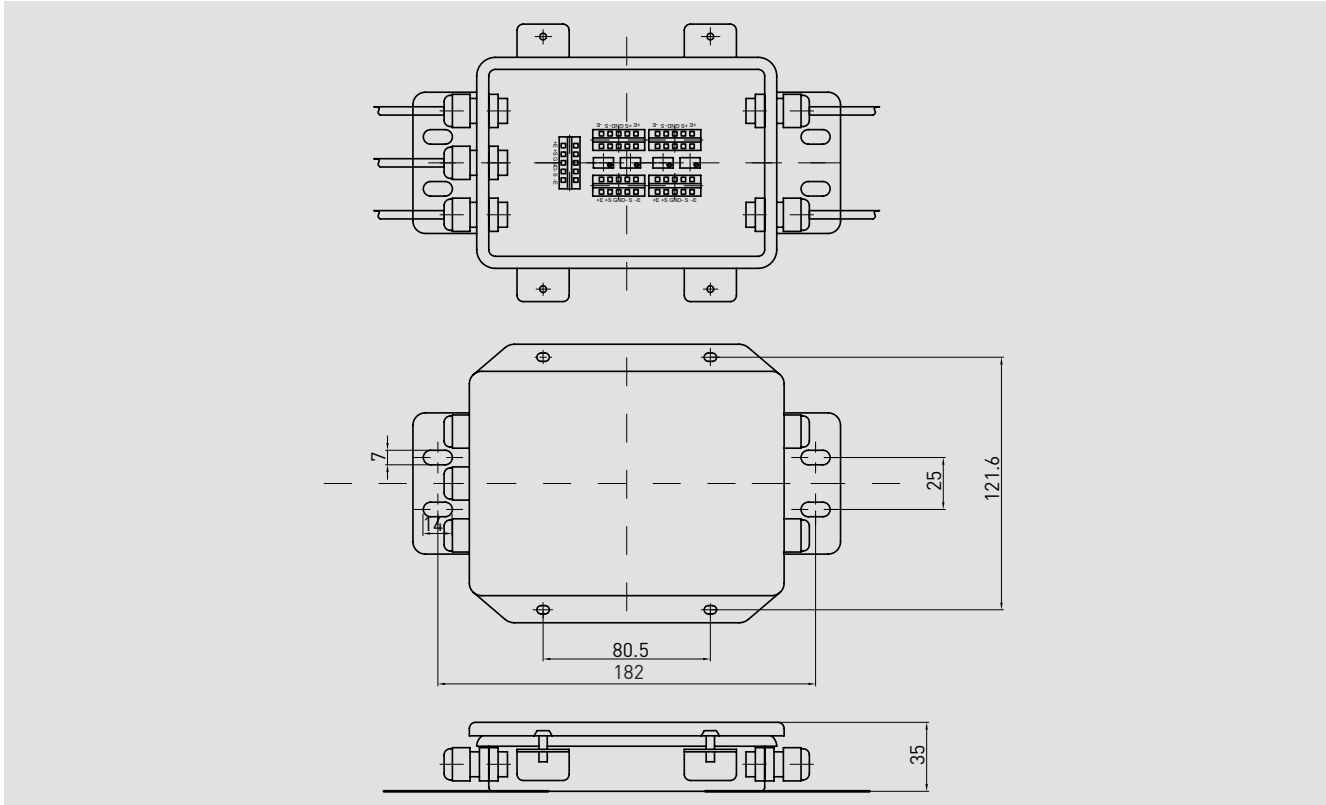
The adjustment "trimming of individual sensors" is also possible with a junction box.

The junction box has an ingress protection rating of IP67.

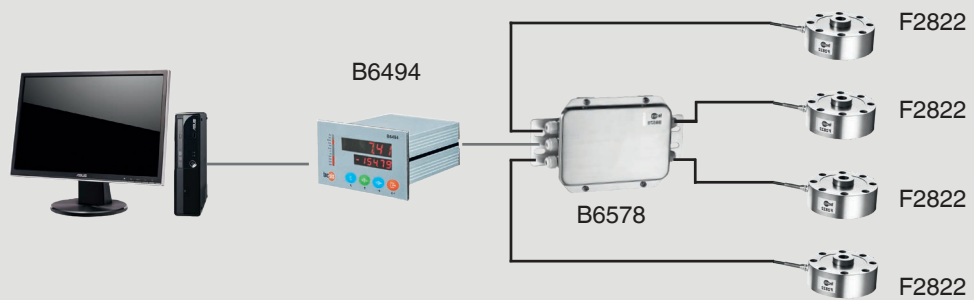
## Specifications

<b>Model B6578</b>	
Service temperature range $B_{T, G}$	-20 ... +80 °C
Ingress protection (per IEC/EN 60529)	IP67
Weight in kg	0.7

## Dimensions in mm



## Construction example



© 2019 WIKA Alexander Wiegand SE & Co. KG, all rights reserved.  
 The specifications given in this document represent the state of engineering at the time of publishing.  
 We reserve the right to make modifications to the specifications and materials.

