

Shear beam up to 10 t

Model F3831

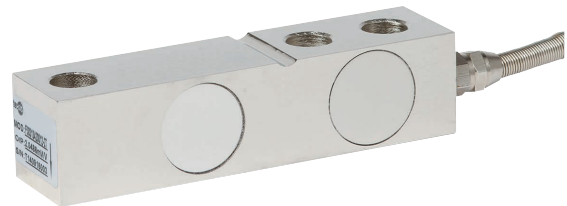
WIKA data sheet FO 51.21

Applications

- Floor scales
- Weigh feeders
- Platform scales
- Laboratory technology
- Process industry

Special features

- Measuring ranges 0 ... 500 kg up to 0 ... 10,000 kg
- Steel/stainless steel
- High long-term stability
- High side load tolerance



Shear beam, model F3831

Description

Shear beams are designed for static and dynamic measurement tasks. They determine the shear forces in a wide scope of applications.

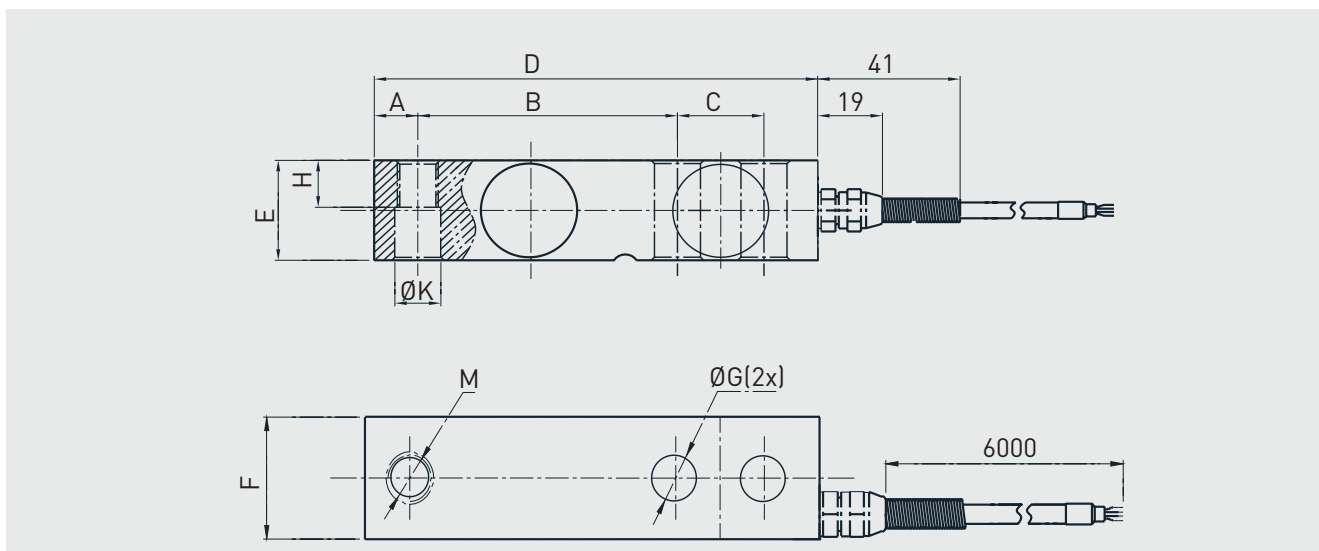
These shear beams are used in industrial weighing and laboratory as well as in the process industry.

The shear beams F3831 are made of steel or stainless steel, which are particularly suitable for the application areas. The output signal is a mV/V signal.

Specifications in accordance with VDI/VDE/DKD 2638

Model F3831	
Nominal load F_{nom} kg	500 / 750 / 1.000 / 1.500 / 2.000 / 2.500 / 3.000 / 5.000 / 7.500 / 10.000
Relative linearity error d_{lin} <ul style="list-style-type: none"> ■ Steel ■ Stainless steel 	<ul style="list-style-type: none"> ± 0.03 % F_{nom} ± 0.05 % F_{nom}
Relative creep, 30 min. <ul style="list-style-type: none"> ■ Steel ■ Stainless steel 	<ul style="list-style-type: none"> ± 0.03 % F_{nom} ± 0.05 % F_{nom}
Relative reversibility v <ul style="list-style-type: none"> ■ Steel ■ Stainless steel 	<ul style="list-style-type: none"> ± 0.03 % F_{nom} ± 0.05 % F_{nom}
Relative repeatability error in unchanged mounting position b_{rg} <ul style="list-style-type: none"> ■ Steel ■ Stainless steel 	<ul style="list-style-type: none"> ± 0.03 % F_{nom} ± 0.05 % F_{nom}
Relative deviation of zero signal $d_{S,0}$	±2 % F_{nom}
Temperature effect on zero signal TK_0	≤ ±0.025 %/10 °C
Temperature effect on characteristic value TK_C	≤ ±0.025 %/10 °C
Force limit F_L	150 % F_{nom}
Breaking force F_B	> 200 % F_{nom}
Material	Stainless steel
Rated temperature range $B_{T, nom}$	-10 ... +60 °C
Operating temperature range $B_{T, G}$	-20 ... +80 °C
Input resistance R_e	385 ± 10 Ω
Output resistance R_a	350 ± 5 Ω
Insulation resistance R_{is}	≥ 5,000 MΩ/DC 100 V
Output signal (rated output) C_{nom} <ul style="list-style-type: none"> ■ Option 	<ul style="list-style-type: none"> 2.0 ± 1 % mV/V 3.0 ± 1 % mV/V
Electrical connection	Cable Ø 5 x 6,000 mm
Rated range of excitation voltage $B_{U, nom}$	10 V (max. 15 V)
Protection (acc. to IEC/EN 60529)	IP65 (< 500 kg) IP67 (> 500 kg)
Weight in kg <ul style="list-style-type: none"> ■ 500 up to 2,500 kg ■ 3,000 up to 5,000 kg ■ 7,500 up to 10,000 kg 	<ul style="list-style-type: none"> 1 1.9 4.5

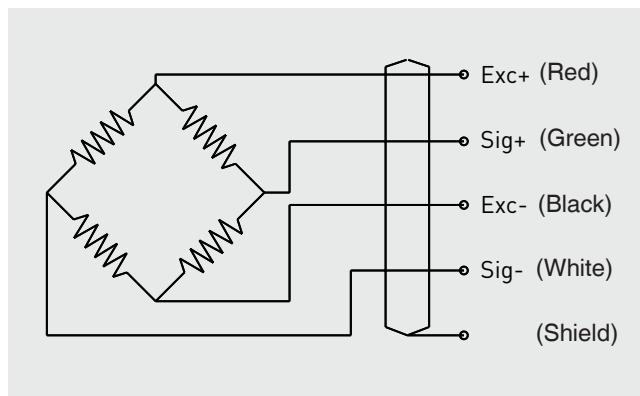
Dimensions in mm



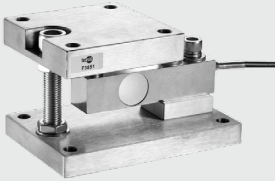
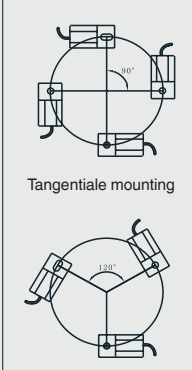
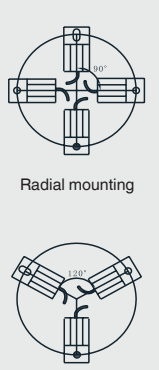
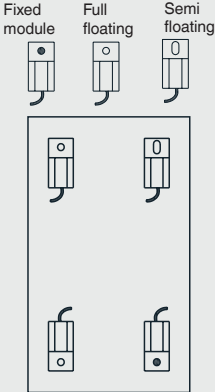
Nominal load in kg	Dimensions in mm									
	A	B	C	D	E	F	G	H	K	M
500 / 750 / 1,000 / 1,500 / 2,000 / 2,500	12.7	76.2	25.4	130	31.8	31.8	13	15.7	13.5	M12 x 1.75
3,000 / 5,000	19	95.3	38.1	171.5	31.8	31.8	20	26	20	M18 x 1.5
7,500 / 10,000	25.3	124	50.8	225.5	50.8	50.8	27	25.4	26.2	M24 x 2

Pin assignment

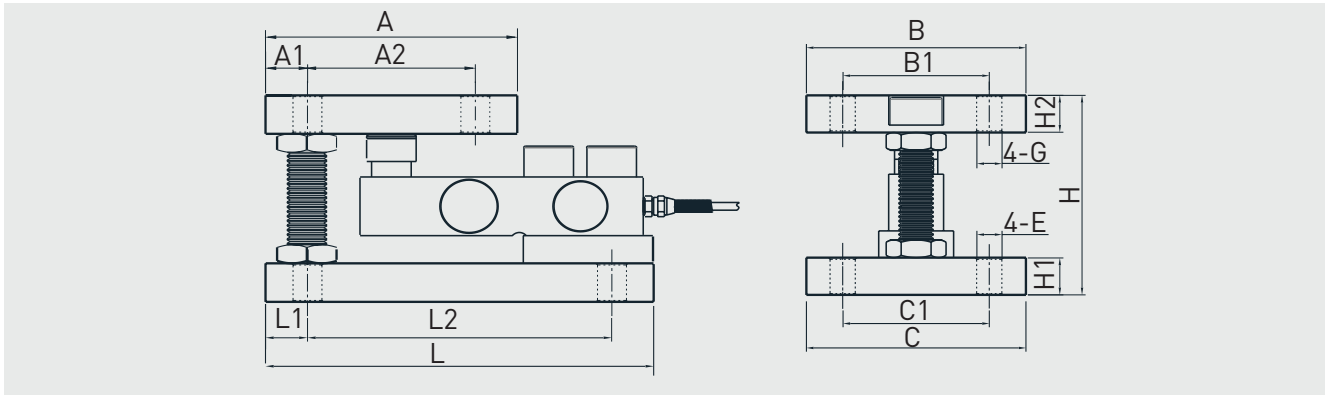
Electrical connection	
Excitation voltage (+)	Red
Excitation voltage (-)	Black
Signal (+)	Green
Signal (-)	White
Screen ⊕	Screen



Accessory

	Description	Order no.
	<p>Installation kit</p> <ul style="list-style-type: none"> ■ Material steel or stainless steel ■ Weight 7 kg <p>Montagemöglichkeiten</p> <div style="display: flex; justify-content: space-around;"> <div style="text-align: center;">  <p>Tangential mounting</p> </div> <div style="text-align: center;">  <p>Radial mounting</p> </div> </div> <div style="text-align: center; margin-top: 10px;">  <p>Fixed module Full floating Semi floating</p> </div>	<p>AZK02</p>

Dimensions in mm



Nominal load in kg	Dimensions in mm														
	L	L1	L2	A	A1	A2	B	B1	C	C1	H	H1	H2	ØG	ØE
500 / 750 / 1,000 / 1,500 / 2,000 / 2,500	177.8	12.7	152.4	114.3	12.7	88.9	113.3	88.9	114.3	88.9	104.8	19	25.4	11	11
3,000 / 5,000	235	25.4	184.2	152.4	25.4	101.6	152.4	101.6	152.4	101.6	136.5	25	31	17.5	17.5
7,500 / 10,000	355.6	25.4	304.8	203.2	25.4	152.4	203.2	152.4	203.2	152.4	190.5	44.5	44.5	20.6	20.6

© 2016 WIKA Alexander Wiegand SE & Co. KG, all rights reserved.
 The specifications given in this document represent the state of engineering at the time of publishing.
 We reserve the right to make modifications to the specifications and materials.



WIKAL Alexander Wiegand SE & Co. KG
 Alexander-Wiegand-Straße 30
 63911 Klingenberg/Germany
 Tel. +49 9372 132-0
 Fax +49 9372 132-406
 info@wika.de
 www.wika.de